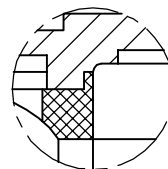
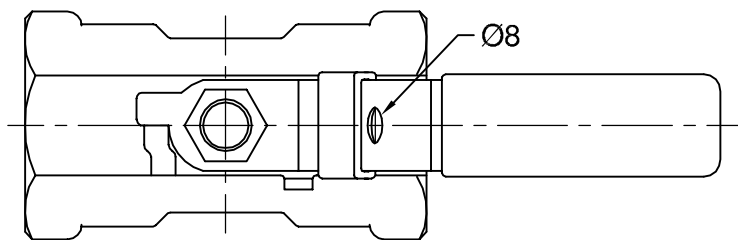


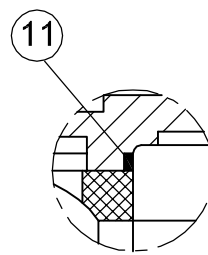
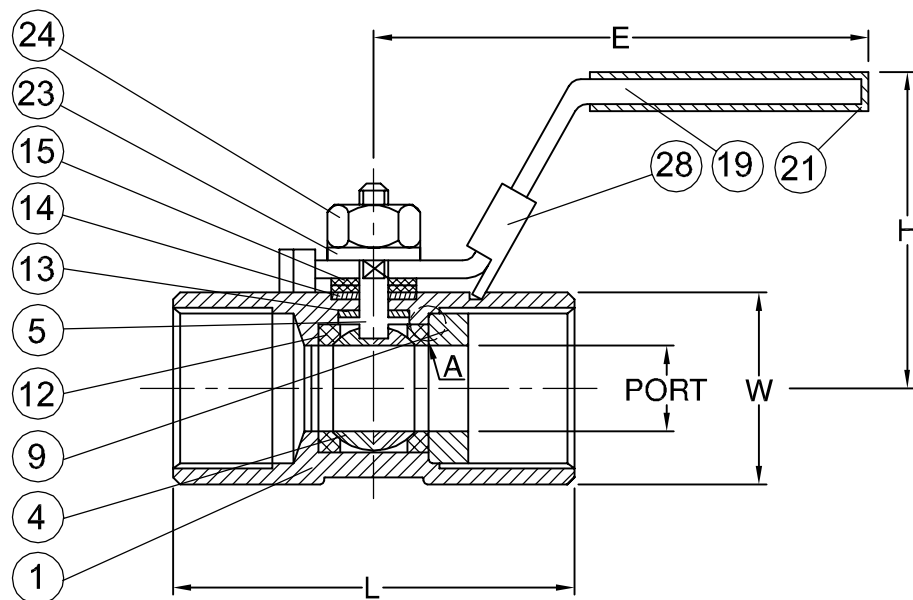
Fig No: **V-103P**

MATERIALS LIST

NO.	PART NAME	MATERIAL
1	BODY	1.4408 / EN1503-1
4	BALL	CF8M / EN1503-2
5	STEM	SS316
9	END CAP	1.4408 / EN1503-1
11	BODY SEAL	PTFE.
12	SEAT	PTFE.
13	THRUST WASHER	PTFE.
14	STEM PACKING	PTFE.
15	GLAND WASHER	SS304
19	HANDLE	SS304
21	HANDLE COVER	VINYL GRIP
23	SPRING WASHER	SS304
24	HANDLE NUT	SS304
28	LOCKING PAD	SS304



1/4"~1"
A-VIEW



1-1/4"~2"
A-VIEW

DIMENSIONS

unit:mm

SIZE	PORT	L	E	H	W
DN8	1/4"	5.0	39.0	69.7	30.5
DN10	3/8"	7.2	44.0	81.5	31.0
DN15	1/2"	9.2	56.5	97.0	47.0
DN20	3/4"	12.5	59.0	97.0	50.5
DN25	1"	15.0	71.0	101.0	52.0
DN32	1-1/4"	20.0	78.0	101.0	57.0
DN40	1-1/2"	25.0	83.0	146.0	66.5
DN50	2"	32.0	100.0	146.0	71.5

CODE	P-005	APPROVED BY.	CHECK BY.	DRAWN BY.	DRAWING NO.	MATERIAL	UNIT	DESCRIPTION
	SIGN	PRESTON	KIRA	POOLER	V-103P-P005	MATERIALS LIST	mm	ONE PIECE ECONOMY TYPE VALVES, THREADED END, REDUCED BORE, PN 40
	DATE	09/26/2007	09/26/2007	09/26/2007	REVISION	01	SCALE	