

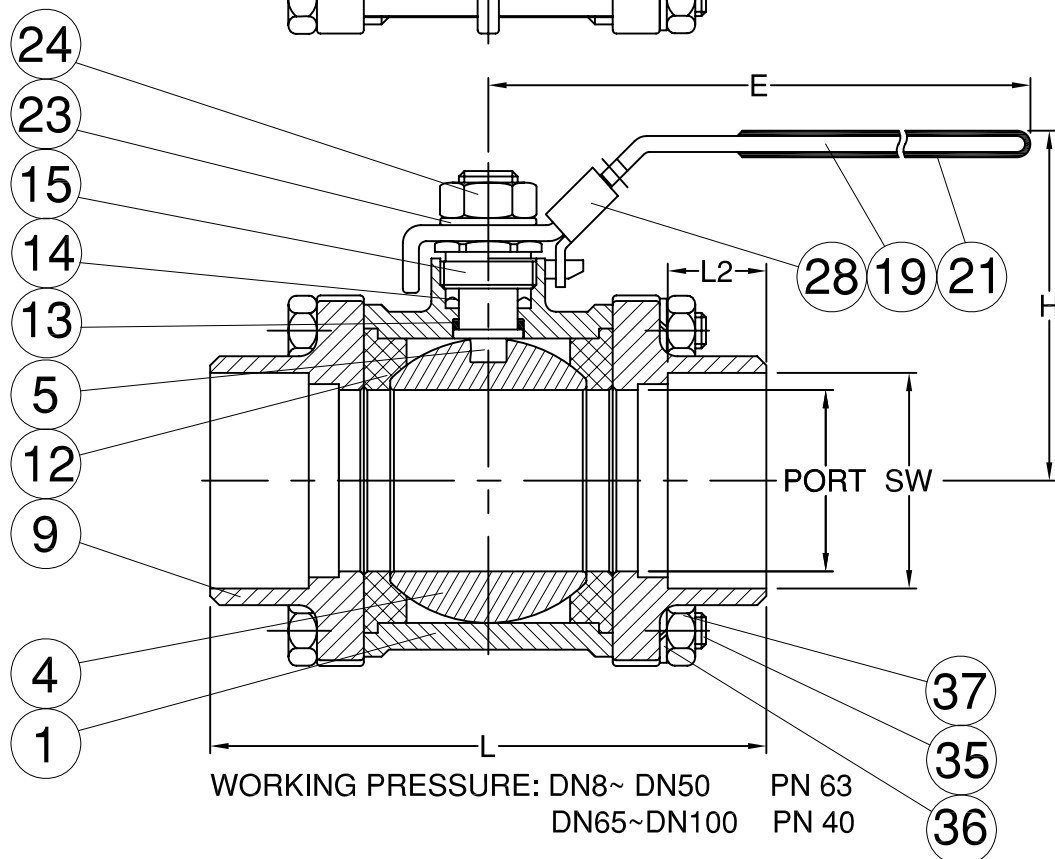
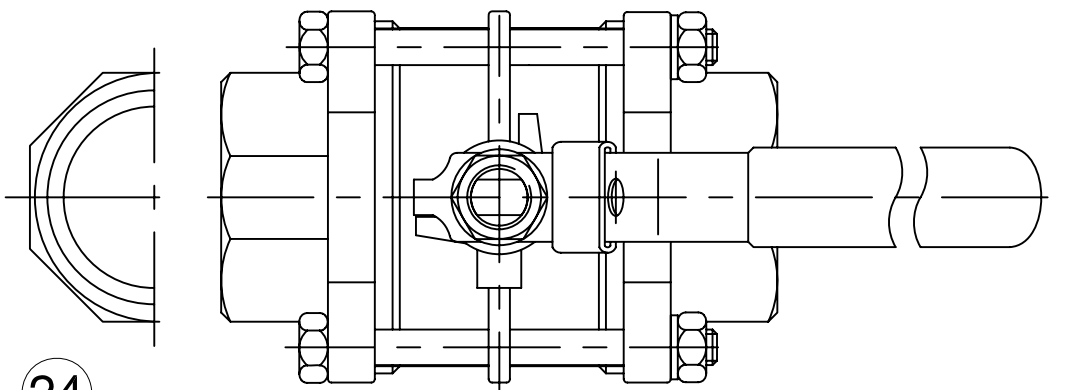
Fig No: **V-105**

MATERIALS LIST

NO.	PART NAME	MATERIAL
1	BODY	1.4408 / EN1503-1
4	BALL	CF8M / EN1503-2
5	STEM	SS316
9	END CAP	1.4408 / EN1503-1
12	SEAT	PTFE.
13	THRUST WASHER	PTFE.
14	STEM PACKING	PTFE.
15	GLAND	SS304
19	HANDLE	SS304
21	HANDLE COVER	VINYL GRIP
23	HANDLE WASHER	SS304
24	HANDLE NUT	SS304
28	LOCKING DEVICE	SS304 (OPTION)
35	BODY BOLT	SS304
36	BOLT WASHER	SS304
37	BOLT NUT	SS304

DIMENSIONS

unit:mm							
SIZE	PORT	L	L2	E	H	SW	
DN8	1/4"	11.5	54.0	10.0	97.4	49.0	14.2
DN10	3/8"	12.5	54.0	10.0	97.4	49.0	17.5
DN15	1/2"	15.0	63.5	10.0	122.9	58.0	21.8
DN20	3/4"	20.0	72.5	13.0	122.9	61.0	27.4
DN25	1"	25.0	81.0	13.0	144.9	68.0	34.1
DN32	1-1/4"	32.0	94.5	13.0	144.9	73.5	42.7
DN40	1-1/2"	38.0	108.0	13.0	188.9	84.5	49.0
DN50	2"	50.0	121.5	16.0	188.9	93.2	61.0
DN65	2-1/2"	65.0	157.5	16.0	255.3	131.8	77.0
DN80	3"	80.0	190.0	16.0	260.8	140.0	90.2
DN80	4"	100.0	225.0	22.0	322.2	173.6	115.3



CODE	P-005	APPROVED BY.	CHECK BY.	DRAWN BY.	DRAWINGNO.	MATERIAL	UNIT	DESCRIPTION
	SIGN	PRESTON	SHANA	POOLER	V-105-P005	MATERIALS LIST	mm	THREE PIECE BALL VALVE, SOCKET WELDING END, FULL BORE, PN 63 / 40
	DATE	12/04/2007	12/04/2007	12/04/2007	REVISION	01	SCALE	