

Fig No: **V-106**

**MATERIALS LIST**

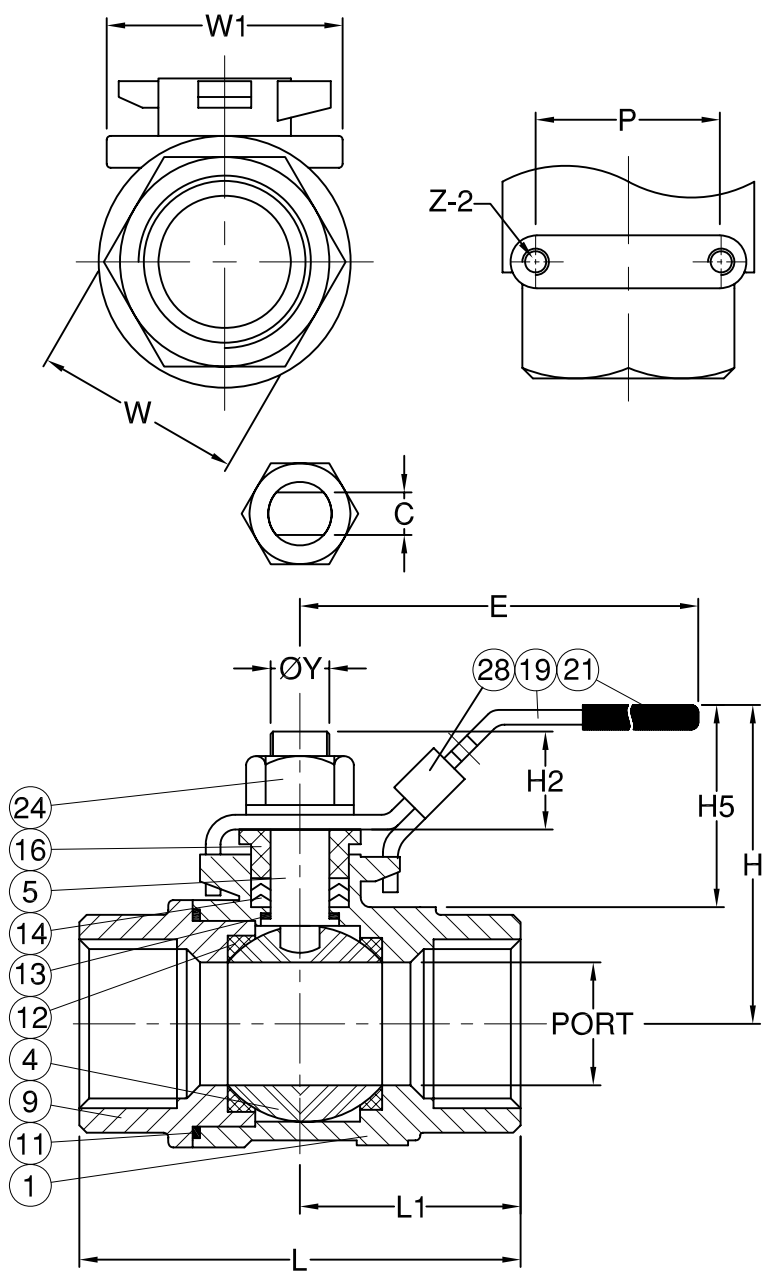
NO.	PART NAME	MATERIAL
1	BODY	1.4408 / EN 1503-1
4	BALL	CF8M / EN1503-2
5	STEM	SS316
9	END CAP	1.4408 / EN 1503-1
11	BODY SEAL	PTFE.
12	SEAT	PTFE.
13	THRUST WASHER	PTFE.
14	STEM PACKING	PTFE.
16	GLAND NUT	SS304
19	HANDLE	SS304
21	HANDLE COVER	PLASTIC
24	HANDLE NUT	SS304
28	LOCKING PAD	SS304(OPTION)

**DIMENSIONS**

unit:mm

SIZE	PORT	L	L1	E	H	H2	H5	C	ØY	W	W1	P	Z-2	
DN8	1/4"	11.5	54.4	25.4	103.9	50.0	9.5	35.5	4.0	5/16-24P	22.0	38.5	28.0	M5x0.8P-2
DN10	3/8"	12.5	54.4	25.4	103.9	50.0	9.5	35.5	4.0	5/16-24P	22.0	38.5	28.0	M5x0.8P-2
DN15	1/2"	15.0	65.3	30.9	123.0	56.5	12.4	42.3	5.0	3/8-16P	25.0	38.6	28.0	M5x0.8P-2
DN20	3/4"	20.0	77.3	39.9	123.0	60.5	12.2	42.5	5.0	3/8-16P	32.0	45.8	35.0	M6x1.0P-2
DN25	1"	25.0	88.7	44.3	145.0	69.3	17.7	45.8	8.0	M12-1.75P	40.0	45.8	35.0	M6x1.0P-2
DN32	1-1/4"	32.0	102.4	54.5	145.0	76.0	17.3	46.2	8.0	M12-1.75P	49.0	47.2	38.0	W1/4-20
DN40	1-1/2"	38.1	109.0	54.5	189.0	84.5	20.1	51.7	10.0	M16-2.0P	55.0	47.0	38.0	W1/4-20
DN50	2"	50.0	125.3	62.2	189.0	95.0	20.0	52.7	10.0	M16-2.0P	69.0	49.2	38.0	W1/4-20
DN65	2-1/2"	65.0	165.0	81.4	255.0	131.3	21.5	76.3	10.0	M16-2.0P	85.0	68.5	55.0	W1/4-20
DN80	3"	80.0	189.5	94.9	261.0	140.6	27.5	74.9	12.0	3/4-10P	102.0	69.5	55.0	W1/4-20

WORKING PRESSURE:DN8~DN50 PN63  
 DN65~DN80 PN40



CODE	P-005	APPROVED BY.	CHECK BY.	DRAWN BY.	DRAWINGNO.	MATERIAL	UNIT	DESCRIPTION
	SIGN	PRESTON	SHANA	POOLER	V-106-P005	MATERIALS LIST	mm	TWO PIECE BALL VALVE, THREADED END FULL BORE, PN 63 / 40
	DATE	11/05/2007	11/05/2007	11/05/2007	REVISION 01	SCALE	FREE	