

Fig No: K-301T

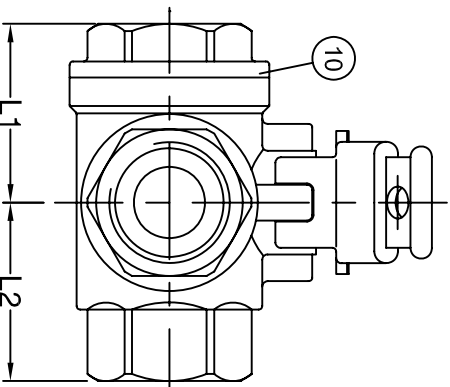
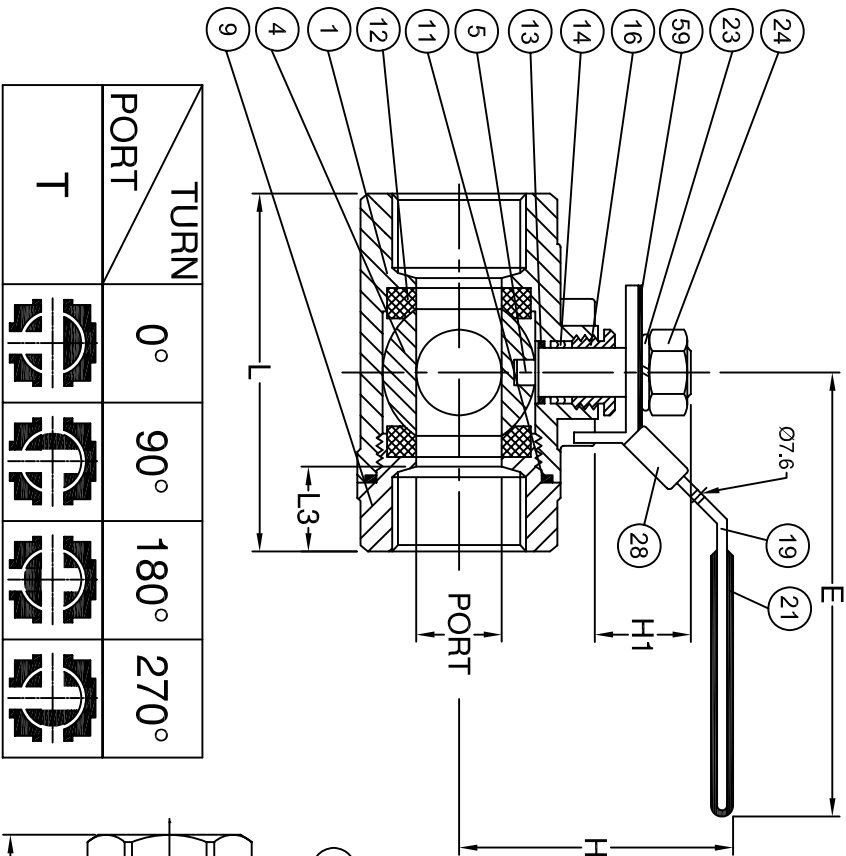
DIMENSIONS

| SIZE | PORT | L | L1 | L2 | L3 | E | H | H1 | Z-2 | P1 | P2 | |
|------|--------|------|-------|------|------|------|-------|------|------|------------|------|------|
| DN8 | 1/4" | 11.7 | 75.0 | 34.0 | 37.5 | 17.0 | 125.0 | 53.0 | 33.0 | 10-24UNC | 12.7 | 28.5 |
| DN10 | 3/8" | 12.8 | 75.0 | 34.0 | 37.5 | 17.0 | 125.0 | 53.0 | 33.0 | 10-24UNC | 12.7 | 28.5 |
| DN15 | 1/2" | 12.8 | 75.0 | 34.0 | 37.5 | 17.0 | 125.0 | 53.0 | 33.0 | 10-24UNC | 12.7 | 28.5 |
| DN20 | 3/4" | 16.0 | 85.0 | 39.0 | 42.5 | 17.5 | 125.0 | 64.0 | 30.0 | 10-24UNC | 22.4 | 35.0 |
| DN25 | 1" | 20.0 | 103.0 | 51.0 | 50.0 | 20.0 | 145.0 | 66.0 | 35.0 | 10-24UNC | 22.4 | 35.0 |
| DN32 | 1-1/4" | 25.2 | 115.0 | 51.0 | 57.5 | 21.0 | 145.0 | 79.0 | 35.0 | 1/4"-20UNC | 25.4 | 38.1 |
| DN40 | 1-1/2" | 32.2 | 125.0 | 58.0 | 62.5 | 22.0 | 205.0 | 83.0 | 44.0 | 1/4"-20UNC | 25.4 | 38.1 |
| DN50 | 2" | 38.2 | 148.0 | 63.0 | 75.0 | 25.0 | 205.0 | 94.0 | 40.0 | 1/4"-20UNC | 25.4 | 38.1 |

unit:mm

MATERIALS LIST

| NO. | PART NAME | MATERIAL |
|-----|----------------|--------------------|
| 1 | BODY | 1.4408 / EN 1503-1 |
| 4 | BALL | CF8M / EN 1503-2 |
| 5 | STEM | SS316 |
| 9 | END CAP | 1.4408 / EN 1503-1 |
| 10 | BLIND CAP | 1.4408 / EN 1503-1 |
| 11 | BODY SEAL | PTFE. |
| 12 | SEAT | PTFE. |
| 13 | THRUST WASHER | PTFE. |
| 14 | STEM PACKING | PTFE. |
| 16 | GLAND NUT | SS304 |
| 19 | HANDLE | SS304 |
| 21 | HANDLE COVER | PLASTIC |
| 23 | HANDLE WASHER | SS304 |
| 24 | HANDLE NUT | SS304 |
| 28 | LOCKING DEVICE | SS304 |
| 59 | FLOW INDICATOR | SS304 |



| TURN | 0° | 90° | 180° | 270° |
|------|----|-----|------|------|
| PORT | | | | |

| | | | | | | | | |
|------------------------|-------|--------------|------------|------------|-------------|----------------|------|---|
| CODE | W-002 | APPROVED BY. | CHECK BY. | DRAWN BY. | DRAWINGNO. | MATERIAL | UNIT | DESCRIPTION |
| MODENTIC | SIGN | PRESTON | SHANA | POOLER | K-301T-W002 | MATERIALS LIST | mm | THREE WAY T PORT BALL VALVE, THREADED END, STANDARD BORE, PN 63 |
| | | DATE | 10/15/2007 | 10/15/2007 | | | | |
| INDUSTRIAL CORPORATION | | | | | | | | |



F

E

D

C

B

A

1

1

2

2

3

3

4

4

5

5

6

6