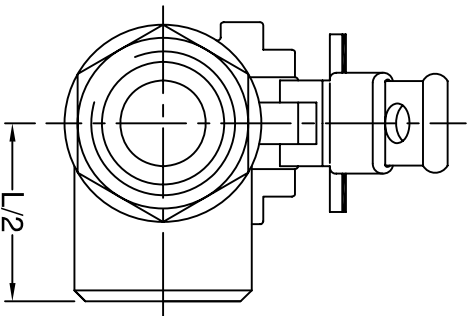
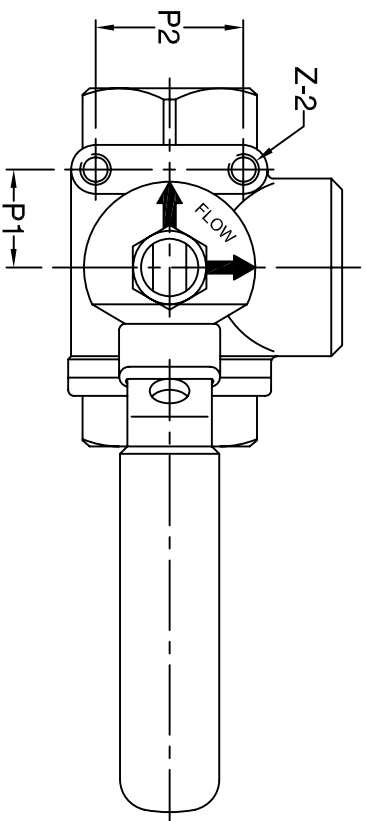
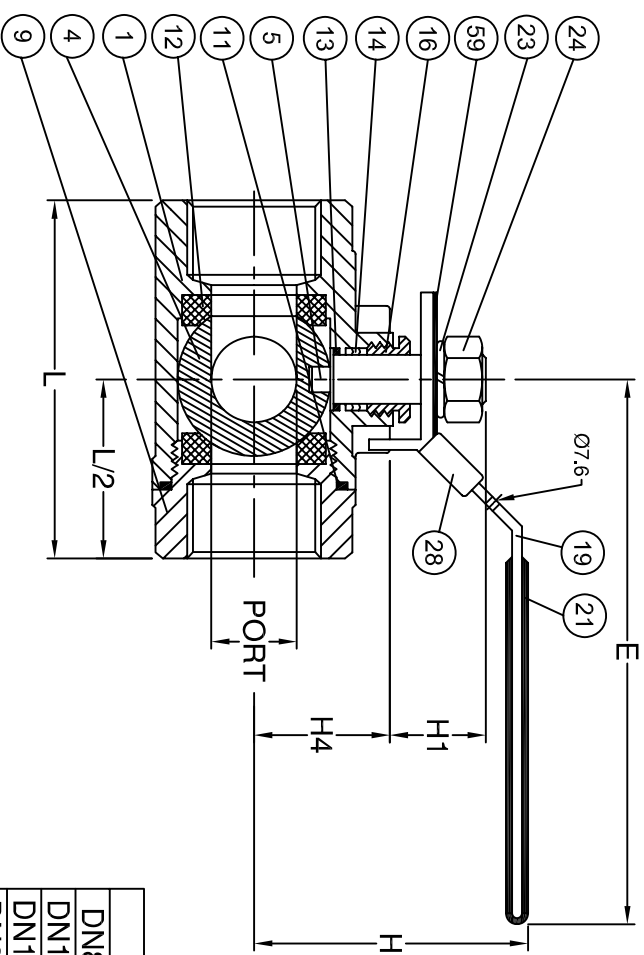


Fig No: K-301L



NO.	PART NAME	MATERIAL
1	BODY	1.4408 / EN 1503-1
4	BALL	CF8M / EN 1503-2
5	STEM	SS316
9	END CAP	1.4408 / EN 1503-1
11	BODY SEAL	PTFE.
12	SEAT	PTFE.
13	THRUST WASHER	PTFE.
14	STEM PACKING	PTFE.
16	GLAND NUT	SS304
19	HANDLE	SS304
21	HANDLE COVER	PLASTIC
23	HANDLE WASHER	SS304
24	HANDLE NUT	SS304
28	LOCKING DEVICE	SS304
59	FLOW INDICATOR	SS304



TURN	0°	90°	180°	270°
PORT				
L				

SIZE	PORT	L	E	H	H1	H4	Z-2	P1	P2
DN8	1/4"	11.4	60.0	56.0	18.0	24.0	10-24UNC	12.7	28.5
DN10	3/8"	12.8	60.0	56.0	18.0	24.0	10-24UNC	12.7	28.5
DN15	1/2"	12.8	60.0	56.0	18.0	24.0	10-24UNC	12.7	28.5
DN20	3/4"	16.0	76.0	64.0	22.0	32.0	10-24UNC	22.4	35.0
DN25	1"	20.0	82.0	66.0	22.0	32.0	10-24UNC	22.4	35.0
DN32	1-1/4"	25.0	97.0	70.0	24.0	42.0	10-24UNC	22.4	35.0
DN40	1-1/2"	32.2	114.0	83.0	24.0	48.0	1/4"-20UNC	25.4	38.1
DN50	2"	38.2	142.0	88.0	29.0	53.0	1/4"-20UNC	30.0	38.1

DIMENSIONS

unit:mm

CODE	W-002	APPROVED BY	PRESTON	CHECK BY	SHANA	DRAWN BY	POOLER	DRAWINGNO.	K-301L-W002	MATERIAL LIST	UNIT	mm	DESCRIPTION	THREE WAY L PORT BALL VALVE, THREADED END, STANDARD BORE, PN 63
INDUSTRIAL CORPORATION	SIGN	DATE	10/15/2007	DATE	10/15/2007	DATE	10/15/2007	REVISION	01	SCALE	FREE			