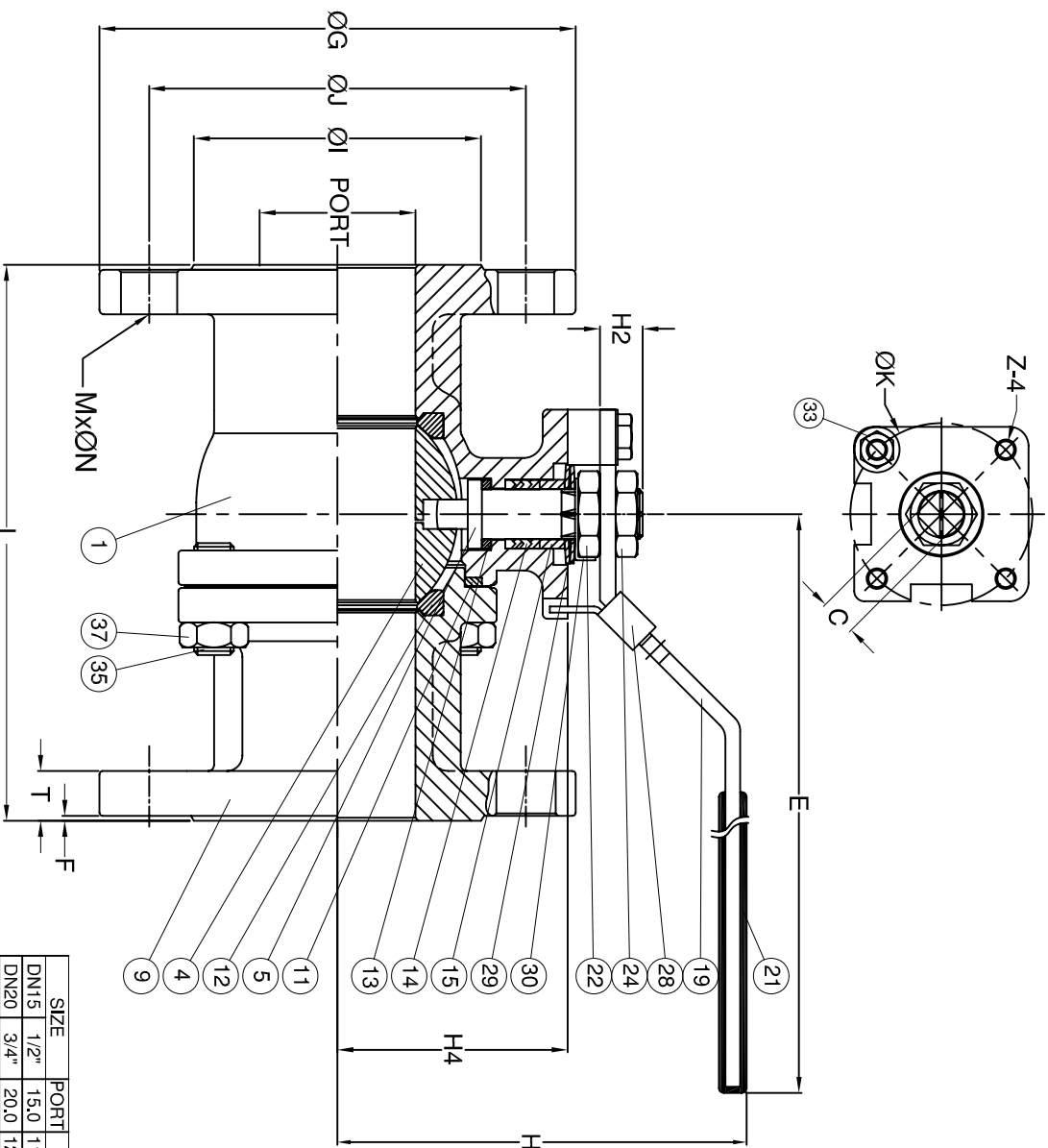


Fig No: MD-27



**MATERIALS LIST**

NO.	PART NAME	MATERIAL
1	BODY	1.4408 / EN 1503-1
4	BALL	CF8M / EN 1503-2
5	STEM	SS316
9	END CAP	1.4408 / EN 1503-1
11	BODY SEAL	PTFE.
12	SEAT	PTFE.
13	THRUST WASHER	PTFE.
14	STEM PACKING	PTFE.
15	GLAND BUSH	SS304
19	HANDLE	SS304
21	HANDLE COVER	PLASTIC
22	STEM NUT	SS304
24	HANDLE NUT	SS304
28	STOP PLATE	SS304 (OPTION)
29	BELLEVILLE WASHER	SS301
30	TAB WASHER	SS304
33	STOP PIN	SS304
35	BODY BOLT	ASTM A193 Gr.B8
37	BOLT NUT	ASTM A194 Gr.8

FLANG DIMENSION: EN 1092-1  
FACE TO FACE: EN 558-1

**DIMENSIONS**

SIZE	PORT	L	E	H	H2	H4	C	ØG	ØJ	ØI	T	F	M	ØN	ØK	Z
DN15	1/2"	15.0	115.0	132.0	84.0	8.5	36.5	9.0	95.0	65.0	16.0	2.0	4	14.0	42.0	M5*0.8P
DN20	3/4"	20.0	120.0	132.0	87.4	8.5	40.0	9.0	105.0	75.0	18.0	2.0	4	14.0	42.0	M5*0.8P
DN25	1"	25.0	125.0	166.0	96.0	12.0	45.5	11.0	115.0	85.0	18.0	2.0	4	14.0	50.0	M6*1.0P
DN32	1 1/4"	32.0	130.0	166.0	102.0	12.0	50.5	11.0	140.0	100.0	18.0	2.0	4	18.0	50.0	M6*1.0P
DN40	1 1/2"	38.0	140.0	196.0	108.0	12.0	60.5	14.0	150.0	110.0	18.0	2.0	4	18.0	70.0	M8*1.25P
DN50	2"	50.0	150.0	196.0	118.0	12.0	70.5	14.0	165.0	125.0	20.0	2.0	4	18.0	70.0	M8*1.25P

unit:mm

CODE	P-005	APPROVED BY.	CHECK BY.	DRAWN BY.	DRAWINGNO.	MATERIAL	UNIT	DESCRIPTION
MODENTIC	SIGN	PRESTON	POOLER	SHANA	MD-27-P005	MATERIALS LIST	mm	TWO PIECE BALL VALVE, FLANGED END, FULL BORE, PN 40
	INDUSTRIAL CORPORATION	DATE	12/05/2007	12/05/2007				



F E D C B A