

**Fig No. V-103P**    **Reduced Bore**  
**1/4" ~ 2" DN8 ~ 50**



**Features :**

One Piece body design, Economy type  
Investment cast Component, Blow-out-proof Stem  
For Industrial, chemical application  
Carbon Steel & Super Alloy upon request

**Standard Compliance :**

Body wall thickness : EN 12516-1/3  
Threaded end : BS 21 ( BSP )  
BSPT  
ISO 228-1  
DIN 2999  
ISO7-1Rp

Face to Face : MD's Standard  
Body Material : EN 1503-1  
Pressure Testing : EN12266

**Specification**

End Connection : Threaded end  
Working Pressure : 40 Bar ( CWP )  
Temperature : -20 ~ 180° C

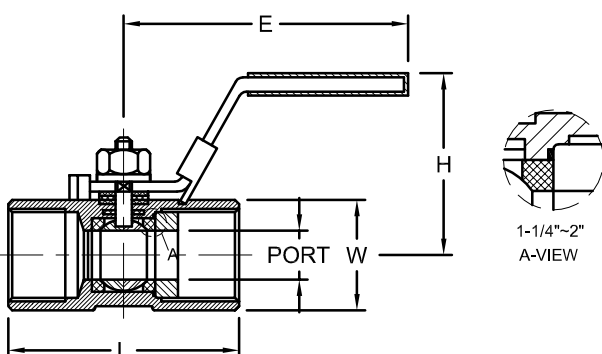
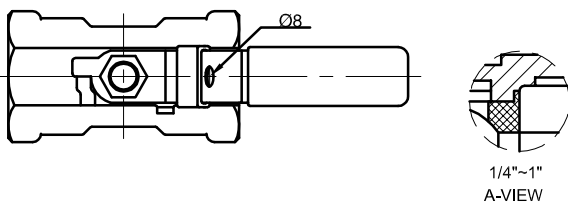
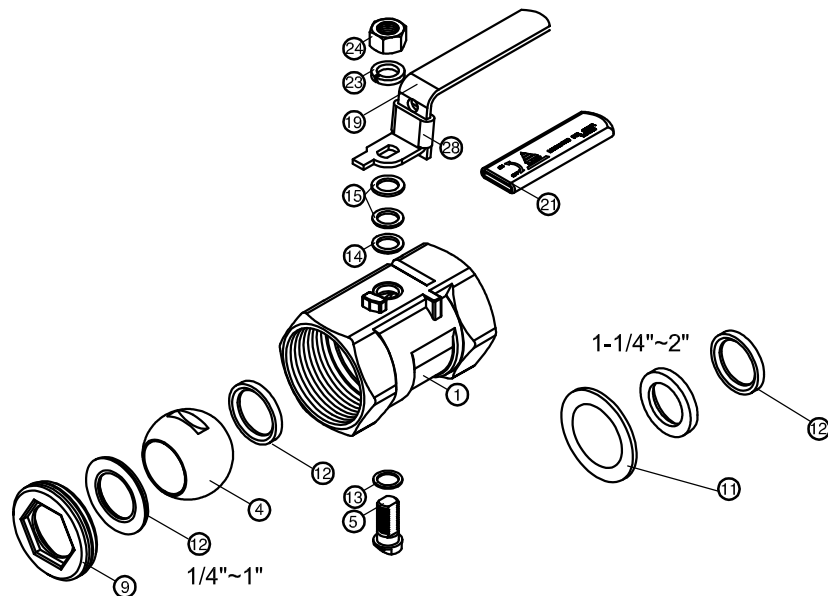
**Option :**

1. Locking Device

**MATERIALS LIST**

| NO. | PART NAME      | MATERIAL        |
|-----|----------------|-----------------|
| 1   | BODY           | 1.4408/EN1503-1 |
| 4   | BALL           | SS316/CF8M      |
| 5   | STEM           | SS316           |
| 9   | INSERT         | 1.4408/EN1503-1 |
| 11  | BODY SEAL      | PTFE.           |
| 12  | SEAT           | PTFE.           |
| 13  | THRUST WASHER  | PTFE.           |
| 14  | STEM PACKING   | PTFE.           |
| 15  | GLAND          | SS304           |
| 19  | HANDLE         | SS304           |
| 21  | HANDLE COVER   | PLASTIC         |
| 23  | HANDLE WASHER  | SS304           |
| 24  | HANDLE NUT     | SS304           |
| 28  | LOCKING DEVICE | SS304(OPTION)   |

BALL - SS 316 1/4"-1/2"    CF8M 3/4"-2"



**DIMENSIONS**    unit:mm

| SIZE | PORT   | L    | E     | H     | W    |
|------|--------|------|-------|-------|------|
| DN8  | 1/4"   | 5.0  | 39.0  | 69.0  | 35.0 |
| DN10 | 3/8"   | 7.2  | 44.0  | 79.0  | 36.0 |
| DN15 | 1/2"   | 9.2  | 56.5  | 109.0 | 40.0 |
| DN20 | 3/4"   | 12.5 | 59.0  | 109.0 | 42.0 |
| DN25 | 1"     | 15.0 | 71.0  | 111.7 | 47.0 |
| DN32 | 1-1/4" | 20.0 | 78.0  | 111.7 | 53.0 |
| DN40 | 1-1/2" | 25.0 | 83.0  | 157.0 | 62.0 |
| DN50 | 2"     | 32.0 | 100.0 | 155.5 | 67.0 |