

Fig No: SP-800 1/2"~ 2"
DN15 ~ DN50



Features :

- Investment Cast Components
- Screwed Bonnet , Replaceable Seat Design
- Low Pressure Drop

Standard Compliance :

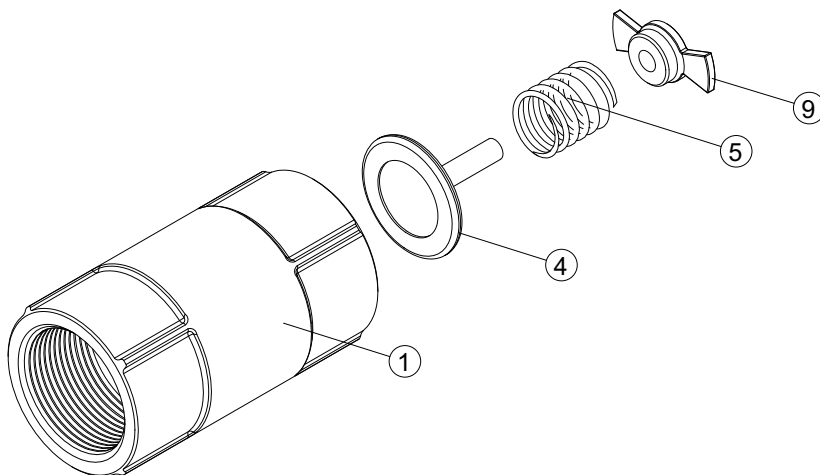
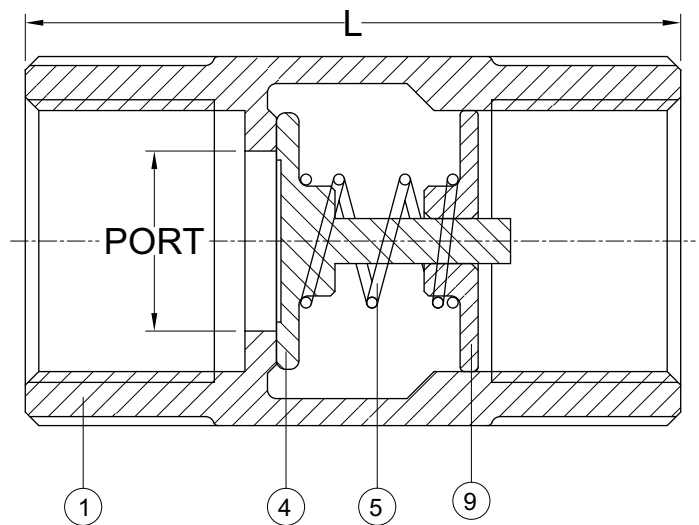
- ASTM ASME B16.34 API 598 EN 10213 EN 12516 EN 12266
- ANSI B1.20.1(NPT) ISO 228-1 DIN 2999 BS 21(BSPP)
- BS 21(BSPT)

Specifications:

- End Connection : Threaded End
- Working Pressure : 800 Psi / 40 Bar (CWP)
- Temperature Range : - 4 to 356°F / - 20 to 180°C
- Pressure Test According to API 598 or EN 12266

MATERIALS LIST

NO.	PART NAME	MATERIAL
1	BODY	1.4408/EN1503-1
4	DISC	SS316
5	SPRING	SS316 / SS304
9	SCREW	SS316



DIMENSIONS unit:mm

SIZE	PORT	L
DN15	1/2"	57.0
DN20	3/4"	63.0
DN25	1"	72.8
DN32	1-1/4"	81.0
DN40	1-1/2"	91.7
DN50	2"	102.4