



# Three Piece Design, Full Bore, 1000 Psi

## Fig No:DA158 / SR158

1/2" ~ 4" ( DN 15 ~ DN 100 )

DA:Double Acting SR:Spring Return



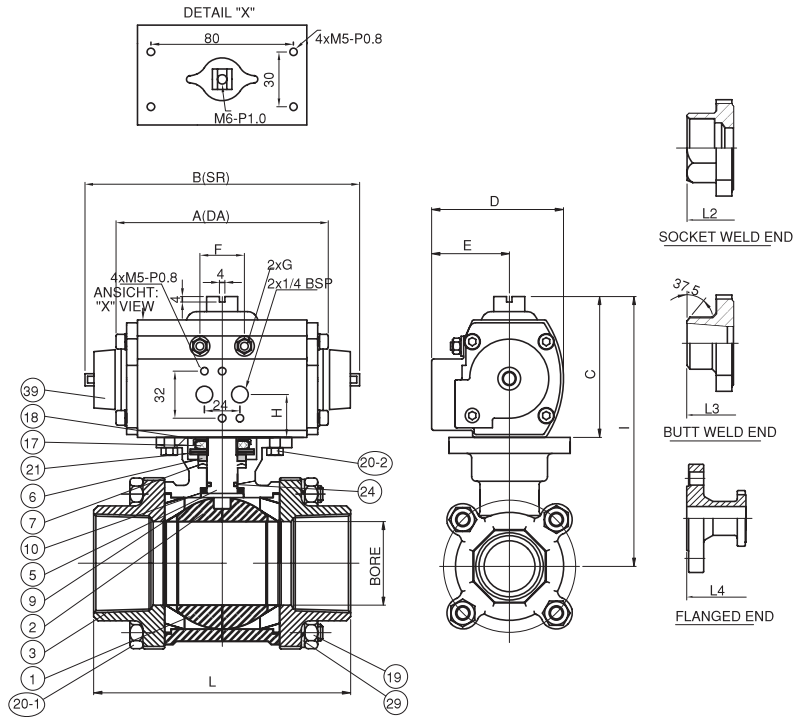
### Valve Specification :

**Design specification according to EN 12516-3**

- Material : Stainless Steel, Carbon Steel or Special Alloy upon request
- Blow-out-proof stem design & Anti-static design
- Stem packing to comply with **TA-Luft** requirements
- Actuator mounting shall be in accordance with ISO 5211
- In-Line Maintenance
- End connection : Threaded / Socket Weld / Butt Weld / Flanged
- Working Pressure ( CWP ) : Threaded / Socket / Butt Weld : 1000 Psi  
Flanged : EN 12516-1 PN 40
- Temperature Range : -4 to 356 °F ( -20 to 180 °C )
- Pressure Test According to API 598
- Shell test by water : 1500 Psi
- Closure seat by Air : 80 ~ 100 Psi

### MATERIALS LIST

NO	PART NAME	MATERIAL	Q'TY
1	BODY	ASTM A351 GR. CF8M	1
2	BALL	ASTM A351 GR. CF8M	1
3	END CAP	ASTM A351 GR. CF8M	2
5	STEM	SS316	1
6	FOLLOWER	SS304	1
7	STEM PACKING	PTFE.	1 SET
9	SEAT	PTFE.	2
10	THRUST WASHER	PTFE.	1
17	STEM NUT	SS304	1
18	CROWN BUSH	SS304	1
19	BOLT NUT	SS304	4~12
20-1	BOLT	SS304	4~12
20-2	BOLT	SS304	4
21	BEVELILLE WASHER	SS301	1 SET
24	O-RING	VITON	1
29	BOLT WASHER	SS304	4~12
39	PNEUMATIC ACTUATOR	ALUMINUM	1



### DIMENSIONS

Unit:mm

SIZE	1/4"		3/8"		1/2"		3/4"		1"		1-1/4"		1-1/2"		2"		2-1/2"		3"		4"	
Air Supply	80 PSI		80 PSI		80 PSI		80 PSI		80 PSI		80 PSI		80 PSI		80 PSI		80 PSI		80 PSI		80 PSI	
ACTUATOR	DA	SR	DA	SR	DA	SR	DA	SR	DA	SR	DA	SR	DA	SR	DA	SR	DA	SR	DA	SR	DA	SR
	C-125	C-250 SR3	C-125	C-250 SR3	C-125	C-250 SR3	C-125	C-250 SR4	C-250	C-450 SR3	C-250	C-450 SR3	C-450	C-450 SR3	C-450	C-450 SR4	C-1000	C-2250 SR2	C-1000	C-2250 SR3	C-2250	C-2250 SR3
BORE	11.5		12.5		15.0		20.0		25.0		32.0		40.0		50.0		65.0		80.0		100.0	
A	120.0	**	120.0	**	120.0	**	120.0	**	144.3	**	144.3	**	149.2	**	149.2	**	183.0	**	183.0	**	259.6	**
B	**	194.6	**	194.6	**	194.6	**	194.6	**	205.6	**	205.6	**	205.6	**	205.6	**	355.0	**	355.0	**	355.0
C	84.0	99.0	84.0	99.0	84.0	99.0	84.0	99.0	99.0	118.0	99.0	118.0	118.0	118.0	118.0	118.0	141.0	161.0	141.0	161.0	161.0	161.0
D	62.2	81.4	62.2	81.4	62.2	81.4	62.2	81.4	81.4	95.0	81.4	95.0	95.0	95.0	95.0	95.0	119.0	140.5	119.0	140.5	140.5	140.5
E	33.7	47.8	33.7	47.8	33.7	47.8	33.7	47.8	47.8	51.5	47.8	51.5	51.5	51.5	51.5	51.5	64.5	75.5	64.5	75.5	75.5	75.5
F	24.0	32.5	24.0	32.5	24.0	32.5	24.0	32.5	32.5	32.5	32.5	32.5	32.5	32.5	32.5	32.5	46.2	54.0	46.2	54.0	54.0	54.0
G	MxP0.8	M5xP0.8	MxP0.8	M5xP0.8	MxP0.8	M5xP0.8	MxP0.8	M5xP0.8	M5xP0.8	M6xP1.0	M5xP0.8	M6xP1.0	M6xP1.0	M6xP1.0	M6xP1.0	M6xP1.0	M6xP1.25	M10xP1.5	M6xP1.25	M10xP1.5	M10xP1.5	M10xP1.5
H	23.5	29.7	23.5	29.7	23.5	29.7	23.5	29.7	23.5	29.7	23.5	29.7	30.2	30.2	30.2	30.2	33.5	39.0	33.5	39.0	39.0	39.0
I	121.0	136.0	121.0	136.0	121.0	136.0	106.5	121.5	125.8	144.8	128.5	147.5	155.4	155.4	159.8	159.8	195.4	215.4	200.2	220.2	237.9	237.9
L	63.5		63.5		63.5		72.5		81.0		94.5		108.0		121.5		157.5		190.0		225.0	
L2	63.5		63.5		63.5		72.5		81.0		94.5		108.0		121.5		157.5		190.0		225.0	
L3	63.5		63.5		63.5		72.5		81.0		94.5		108.0		121.5		157.5		190.0		225.0	
L4	**		**		130.0		150.0		160.0		180.0		200.0		230.0		290.0		310.0		350.0	