

**Fig no. V-105T Full Bore**  
**1/4" ~ 4" DN 8- DN 100**



**Features :**

- Investment Casting
- Blow out proof stem, In-line Maintenance
- For Chemical, Industrial Application
- Carbon Steel or Super Alloy upon request

**Standard Compliance :**

- Body wall thickness : EN 12516-1/2/3
- Threaded end : BS 21 (BSP)
- BSPT
- ISO 228-1G
- DIN 2999
- ISO 7-1Rp

- Face to Face : MD's standard
- Body material : EN1503-1
- Pressure testing : EN 12266

**Specification :**

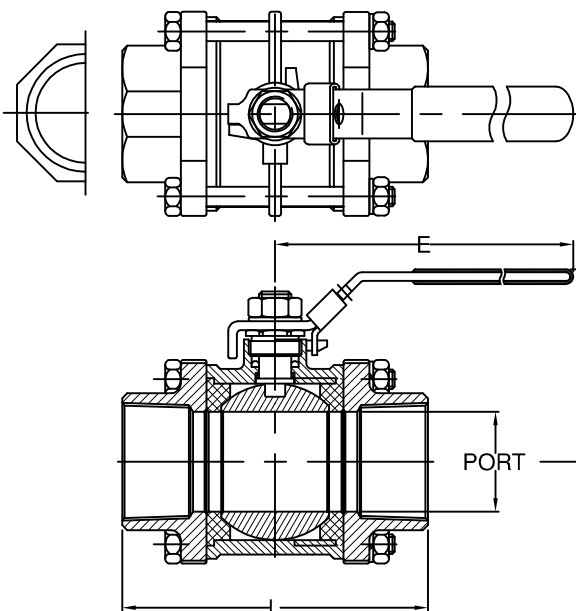
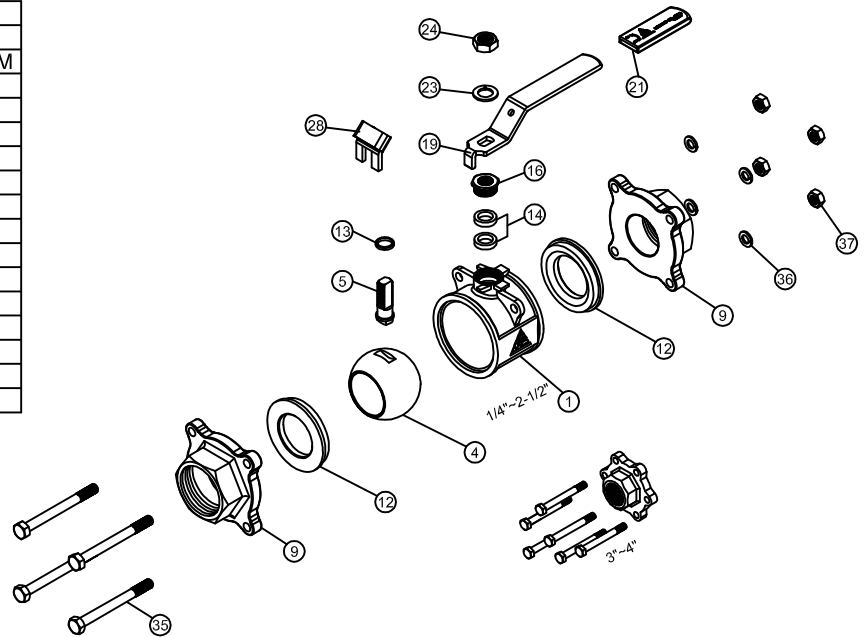
- End connection : Threaded end
- Working Pressure : 63 bar ( CWP ) for DN8-50
- 40 bar ( CWP ) for DN65-100
- Temperature : -20 to 180°C

**Option :**

- 1. Locking Device Handle
- 2. F to F Length : DIN 3203 M3

**MATERIALS LIST**

NO.	PART NAME	MATERIAL
1	BODY	1.4408/EN1503-1
4	BALL	ASTM A351 Gr.CF8M
5	STEM	SS316
9	END CAP	1.4408/EN1503-1
12	SEAT	PTFE.
13	THRUST WASHER	PTFE.
14	STEM PACKING	PTFE.
16	GLAND NUT	SS304
19	HANDLE	SS304
21	HANDLE COVER	PLASTIC
23	HANDLE WASHER	SS304
24	HANDLE NUT	SS304
28	LOCKING DEVICE	SS304 (OPTION)
35	BODY BOLT	SS304
36	BOLT WASHER	SS304
37	BOLT NUT	SS304



**DIMENSIONS** unit:mm

SIZE	PORT	L	E	H
DN8	1/4"	11.5	54.0	97.4
DN10	3/8"	12.5	54.0	97.4
DN15	1/2"	15.0	63.5	122.9
DN20	3/4"	20.0	72.5	122.9
DN25	1"	25.0	81.0	144.9
DN32	1-1/4"	32.0	94.5	144.9
DN40	1-1/2"	38.0	108.0	188.9
DN50	2"	50.0	121.5	188.9
DN65	2-1/2"	65.0	157.5	255.3
DN80	3"	80.0	190.0	260.8
DN100	4"	100.0	225.0	322.2