

**Fig no. V-158T Full Bore**  
1/4" ~ 4" DN 8 - DN 100



**Features :**

- Investment Casting Component
- Blow-out-proof stem, ISO 5211 direct mounting type
- In-line Maintenance
- For Chemical, Industrial Application
- Carbon Steel or Super Alloy upon request

**Standard Compliance :**

- Body wall thickness : EN 12516-1/2/3
- Threaded end : BS 21 (BSP)
- BSPT
- ISO 228-1G
- DIN 2999
- ISO 7-1Rp
- Face to Face : MD's standard
- Body material : EN1503-1
- Pressure testing : EN 12266

**Specification :**

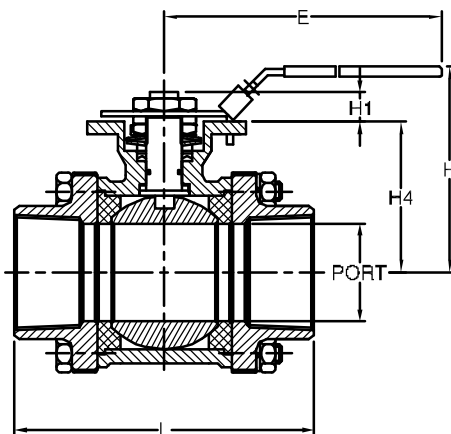
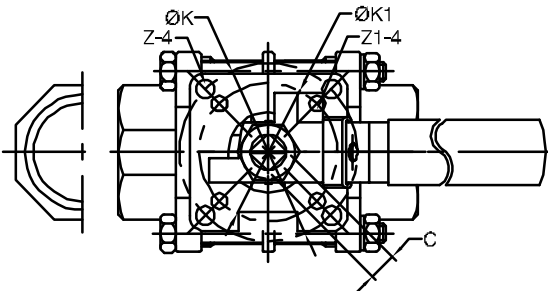
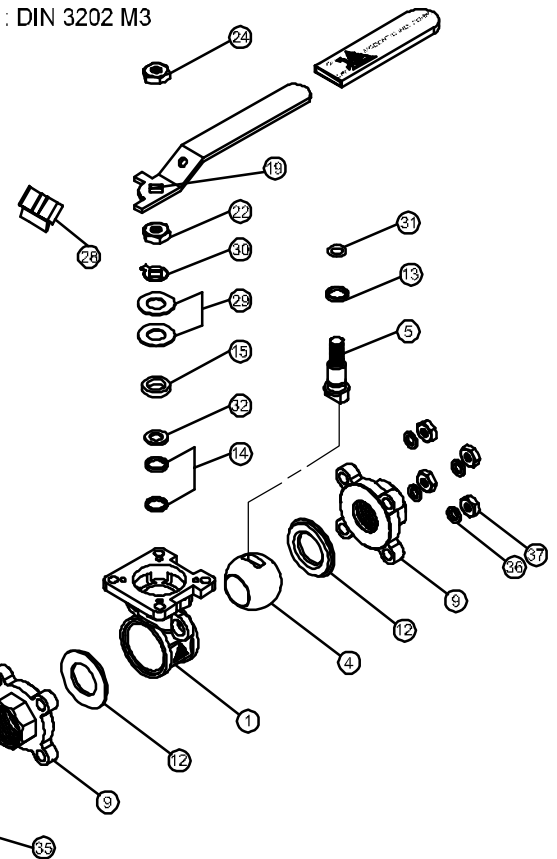
- End connection : Threaded end
- Working Pressure : 63 Bar for DN8 - 50  
40 Bar for DN 65 - 100
- Temperature : -20 to 180 °C

**Option :**

- F to F length : DIN 3202 M3

**MATERIALS LIST**

NO.	PART NAME	MATERIAL
1	BODY	1.4408/EN1503-1
4	BALL	ASTM A351 Gr.CF8M
5	STEM	SS316
9	END CAP	1.4408/EN1503-1
12	SEAT	RTFE.
13	THRUST WASHER	RTFE.
14	STEM PACKING	RTFE.
15	GLAND BUSH	SS304
19	HANDLE	SS304
21	HANDLE COVER	PLASTIC
22	STEM NUT	SS304
24	HANDLE NUT	SS304
28	LOCKING PAD	SS304
29	BELLEVILLE WASHER	SS304-CSP
30	TAB WASHER	SS304
31	O-RING	VITON
32	PACKING FOLLWER	PTFE.+25%GF
35	BODY BOLT	SS304
36	BOLT WASHER	SS304
37	BOLT NUT	SS304



**DIMENSIONS**

unit:mm

SIZE	PORT	L	E	H	H1	H4	C	ØK	ØK1	Z-4	Z1-4	
DN8	1/4"	11.5	63.5	112.0	73.0	8.5	37.0	9.0	50.0	36.0	7.0	6.0
DN10	3/8"	12.5	63.5	112.0	73.0	8.5	37.0	9.0	50.0	36.0	7.0	6.0
DN15	1/2"	15.0	63.5	112.0	73.0	8.5	37.0	9.0	50.0	36.0	7.0	6.0
DN20	3/4"	20.0	72.5	112.0	80.8	8.5	45.0	9.0	50.0	36.0	7.0	6.0
DN25	1"	25.0	81.0	136.0	90.5	11.4	53.5	9.0	50.0	36.0	7.0	6.0
DN32	1-1/4"	32.0	94.5	185.0	98.7	11.4	59.0	9.0	50.0	36.0	7.0	6.0
DN40	1-1/2"	38.0	108.0	197.9	115.3	14.0	74.8	14.0	70.0	50.0	9.0	7.0
DN50	2"	50.0	121.5	197.9	124.0	13.7	83.5	14.0	70.0	50.0	9.0	7.0
DN65	2-1/2"	65.0	157.5	267.0	155.0	18.0	108.8	17.0	102.0	70.0	11.0	9.0
DN80	3"	80.0	190.0	267.0	208.5	18.0	118.3	17.0	102.0	70.0	11.0	9.0
DN100	4"	100.0	225.0	322.0	216.7	18.0	153.8	17.0	102.0	70.0	11.0	9.0