

Fig no. WA-002T Full Bore
1/4" ~ 4" DN8 ~ 100



Feature :

- Investment casting component
- Horizontal or Vertical Installation
- Low pressure drop
- For General chemical and industrial application

Standard Compliance :

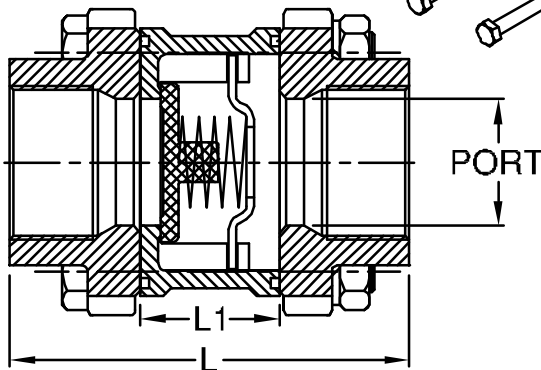
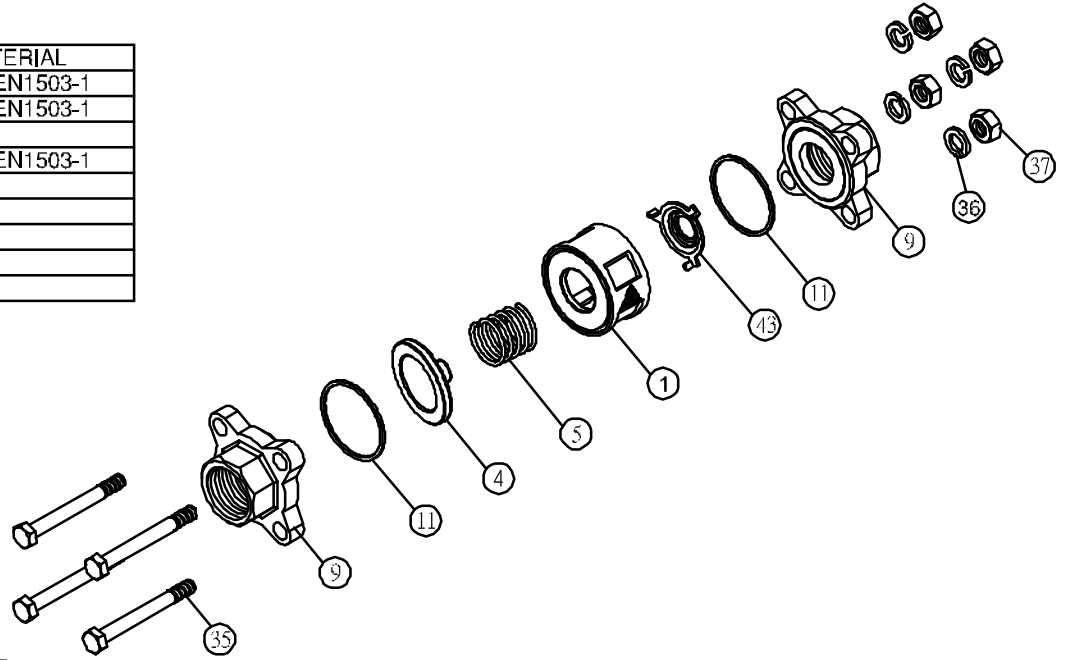
- Body wall thickness : EN 12516-1/2/3
- Threaded end : BS 21 (BSP)
- BSPT
- ISO 228-1
- DIN 2999
- ISO 7-1Rp
- Face to Face : MFG's standard
- Body material : EN10213-4
- Pressure testing : EN 12266

Specification:

- End connection : Threaded end
- Working pressure : 40 bar (CWP)
- Temperatue : -20 ~ 180°C

MATERIALS LIST

| NO. | PART NAME | MATERIAL |
|-----|-------------|-------------------|
| 1 | BODY | 1.4408 / EN1503-1 |
| 4 | DISC | 1.4408 / EN1503-1 |
| 5 | SPRING | SS316 |
| 9 | END CAP | 1.4408 / EN1503-1 |
| 11 | BODY SEAL | PTFE. |
| 35 | BODY BOLT | SS304 |
| 36 | BOLT WASHER | SS304 |
| 37 | BOLT NUT | SS304 |
| 43 | HOLDER | SS316 |



DIMENSIONS

| SIZE | PORT | unit:mm | | |
|-------|--------|---------|-------|------|
| | | L | L1 | |
| DN8 | 1/4" | 12.0 | 53.0 | 14.0 |
| DN10 | 3/8" | 12.0 | 53.0 | 14.0 |
| DN15 | 1/2" | 15.0 | 67.0 | 18.0 |
| DN20 | 3/4" | 20.0 | 69.0 | 22.0 |
| DN25 | 1" | 25.0 | 79.0 | 27.5 |
| DN32 | 1-1/4" | 32.0 | 92.0 | 32.0 |
| DN40 | 1-1/2" | 40.0 | 101.0 | 37.0 |
| DN50 | 2" | 50.0 | 115.0 | 47.0 |
| DN65 | 2-1/2" | 65.0 | 145.0 | 47.0 |
| DN80 | 3" | 80.0 | 154.0 | 55.0 |
| DN100 | 4" | 100.0 | 180.0 | 70.0 |

Opening pressure STD in Mbar
 Prasion apertura Standard in Mbar

| | | | | | | | | | | | | | | | |
|-------|----|----|----|-------|----|----|----|-------|----|----|----|--------|----|----|----|
| DN 25 | 25 | 21 | 23 | DN 40 | 29 | 21 | 25 | DN 65 | 31 | 21 | 25 | DN 100 | 33 | 21 | 27 |
| ▲ | ▼ | ▶ | ▲ | ▼ | ▶ | ▲ | ▼ | ▶ | ▲ | ▼ | ▶ | ▲ | ▼ | ▶ | |
| DN 32 | 27 | 21 | 24 | DN 50 | 29 | 21 | 25 | DN 80 | 32 | 21 | 26 | | | | |
| ▲ | ▼ | ▶ | ▲ | ▼ | ▶ | ▲ | ▼ | ▶ | | | | | | | |