

Fig No: GT-200

1/2" ~ 2" DN15 ~ DN50



Features :

Investment cast component
 Inside Screwed Non-Rising stem
 Screwed Bonnet, Solid Wedge Disc,
 For General Chemical and Industrial application

Standard Compliance :

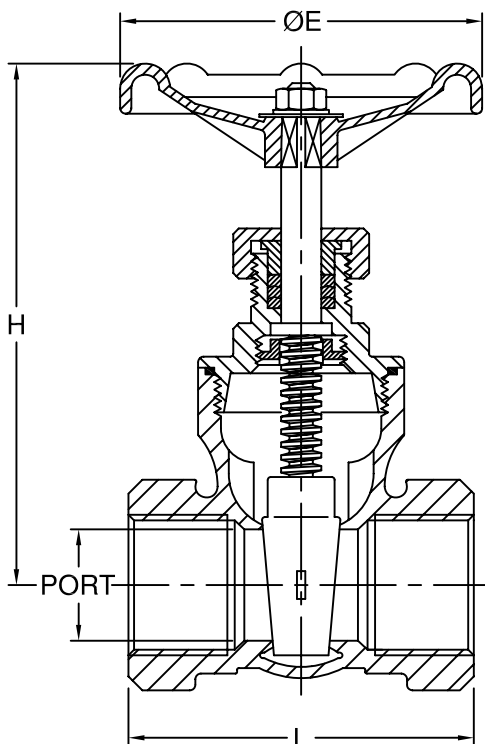
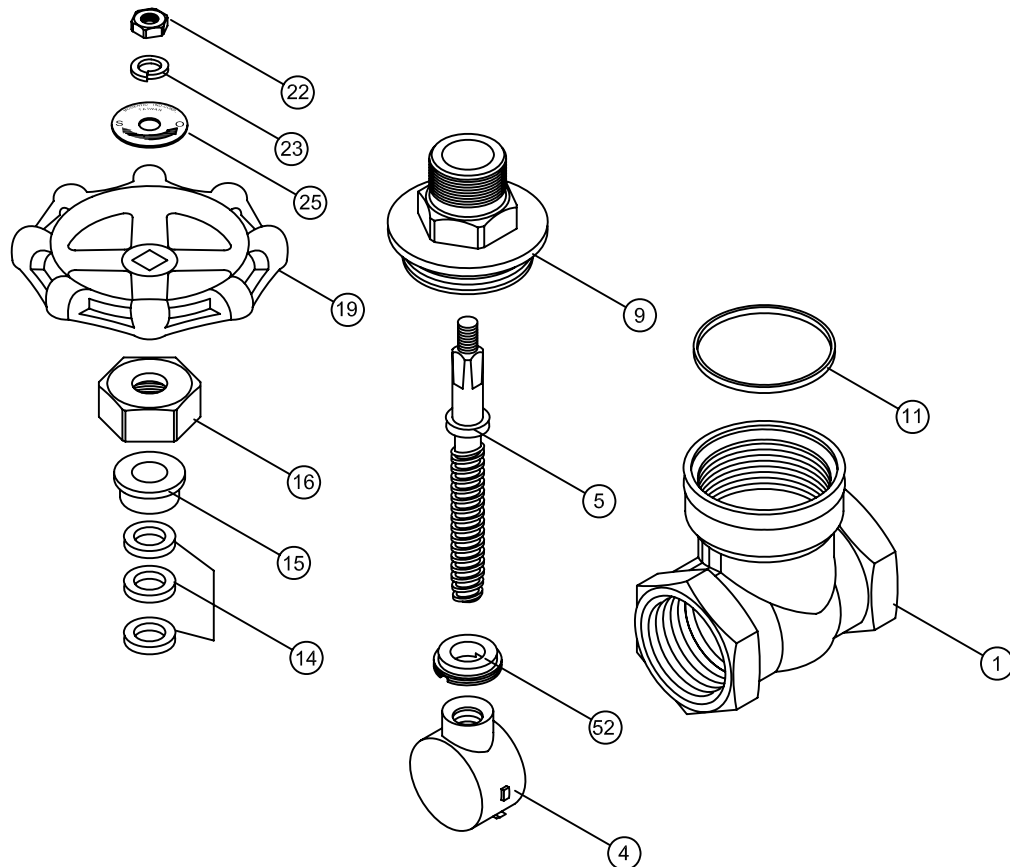
Body wall thickness : EN 12516-1/3
 Threded end : BS 21 (BSP)
 BSPT
 ISO 228-1
 DIN 2999
 ISO 7-1Rp
 Face to Face : MFG's standard
 Body Material : EN1503-1

Specification :

End Connection : Threaded end
 Working pressure : PN 420 bar (CWP)
 Temperature : -20 ~ 180°C

MATERIALS LIST

NO	PART NAME	MATERIAL
1	BODY	1.4408/EN1503-1
4	GATE	1.4408/EN1503-1
5	STEM	SS 316
9	BONNET	1.4408/EN1503-1
11	BONNET GASKET	PTFE.
14	STEM PACKING	PTFE.
15	GLAND	SS304
16	GLAND NUT	SS316
19	HANDLEWHEEL	ZnDc
22	HANDLEWHEEL NUT	SS304
23	HANDLEWHEEL WASHER	SS304
25	NAME PLATE	ALUMINUM
52	BACKSEAT BUSHING	SS304



DIMENSIONS

unit:mm

SIZE	PORT	L	ØE	H
DN15	1/2"	15.0	55.0	70.0
DN20	3/4"	20.0	60.5	70.0
DN25	1"	25.0	65.5	80.0
DN32	1-1/4"	32.0	76.5	80.0
DN40	1-1/2"	40.0	85.5	90.0
DN50	2"	50.0	95.5	100.0