

Fig No. YSP- 800 Full Bore
1/4" ~ 2" DN8 ~ DN50



Features :

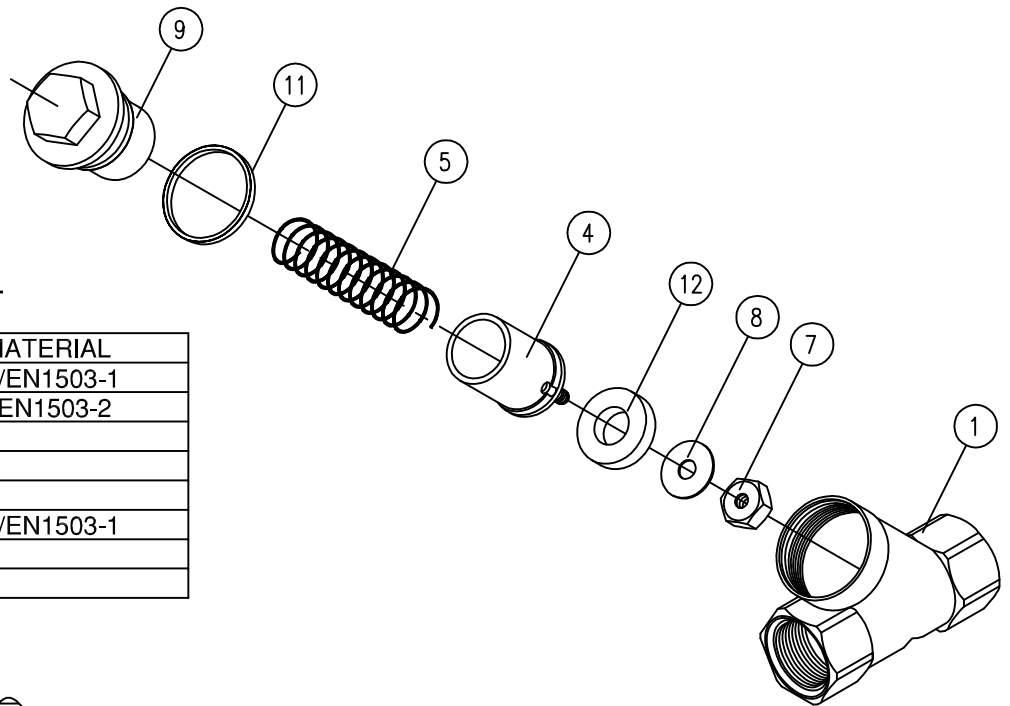
- Investment casting component
- Screwed bonnet, Replaceable seat design
- Low pressure drop
- For general chemical and industrial application

Standard Compliance :

- Body wall thickness : EN 12516-1/3
- Threaded end : BS 21 (BSP)
- BSPT
- ISO 228-1
- DIN 2999
- ISO 7-1Rp
- Pressure testing : EN12266
- Body material : EN 1503-1

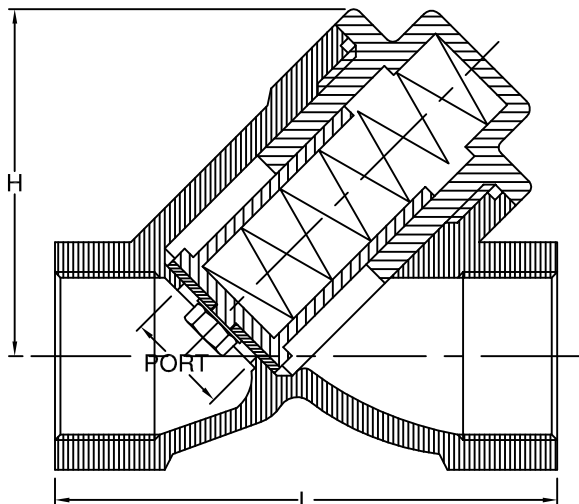
Specification :

- End connection : Threaded end
- Working pressure : 40 Bar (CWP)
- Temperature : -20 ~ 180°C
- Operation pressure : 0.15kgf/cm²



MATERIALS LIST

NO.	PART NAME	MATERIAL
1	BODY	1.4408/EN1503-1
4	PISTON	CF8M/EN1503-2
5	SPRING	SS316
7	NUT	SS316
8	WASHER	SS316
9	BONNET	1.4408/EN1503-1
11	BODY SEAL	PTFE.
12	SEAT	PTFE.



DIMENSIONS

		unit:mm		
SIZE	PORT	L	H	
DN8	1/4"	10.0	65.0	43.0
DN10	3/8"	12.0	65.0	43.0
DN15	1/2"	15.0	65.0	45.0
DN20	3/4"	20.0	80.0	52.0
DN25	1"	25.0	90.0	66.0
DN32	1-1/4"	32.0	105.0	70.0
DN40	1-1/2"	40.0	120.0	78.0
DN50	2"	50.0	140.0	95.0