

Fig No. V-106 Full Bore
1/4" ~ 3" DN8 ~ 80



Features :

Two Piece body design
 Investment cast Component, Blow-out-proof Stem
 For Industrial, chemical application
 Carbon Steel & Super Alloy upon request

Standard Compliance :

Body wall thickness : EN 12516-1/3
 Threaded end : BS 21 (BSP)
 BSPT
 ISO 228-1
 DIN 2999
 ISO7-1Rp

Face to Face : MD's Standard
 Body Material : EN 1503-1
 Pressure Testing : EN12266

Specification

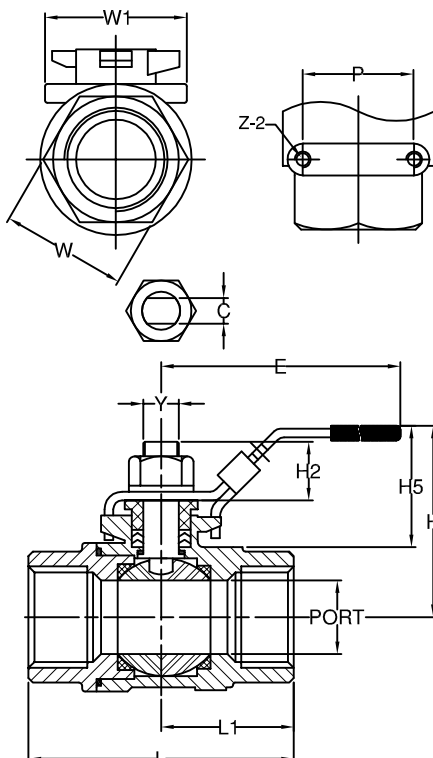
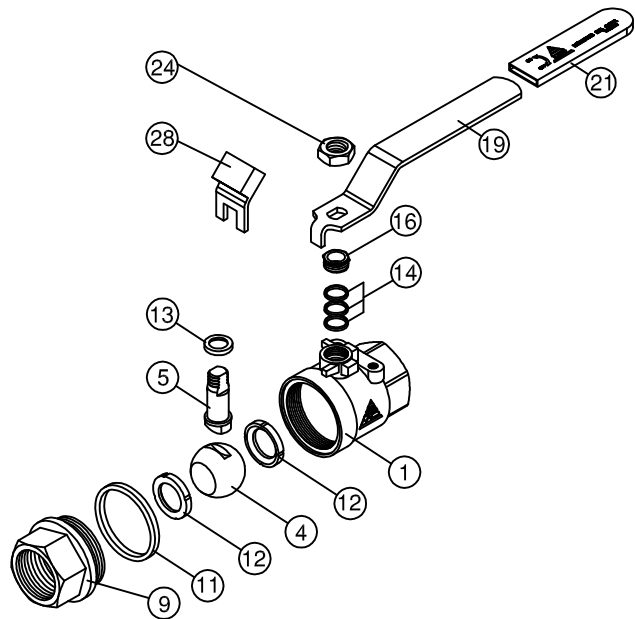
End Connection : Threaded end
 Working Pressure : 63 Bar (CWP) for DN8-50
 40 Bar (CWP) for DN65- 80
 Temperature : -20 ~ 180° C

Option :

- 1. Locking Device

MATERIALS LIST

| NO. | PART NAME | MATERIAL |
|-----|----------------|-------------------|
| 1 | BODY | 1.4408/EN1503-1 |
| 4 | BALL | ASTM A351 Gr.CF8M |
| 5 | STEM | SS316 |
| 9 | END CAP | 1.4408/EN1503-1 |
| 11 | BODY SEAL | PTFE. |
| 12 | SEAT | PTFE. |
| 13 | THRUST WASHER | PTFE. |
| 14 | STEM PACKING | PTFE. |
| 16 | GLAND NUT | SS304 |
| 19 | HANDLE | SS304 |
| 21 | HANDLE COVER | PLASTIC |
| 24 | HANDLE NUT | SS304 |
| 28 | LOCKING DEVICE | SS304(OPTION) |



DIMENSIONS

unit:mm

| SIZE | PORT | L | L1 | E | H | H2 | H5 | C | Y | W | W1 | P | Z-2 | |
|------|--------|------|-------|------|-------|-------|------|------|------|-----------|-------|------|------|-----------|
| DN8 | 1/4" | 11.5 | 54.4 | 25.4 | 103.9 | 50.0 | 9.5 | 35.5 | 4.0 | 5/16-24P | 22.0 | 38.5 | 28.0 | M5x0.8P-2 |
| DN10 | 3/8" | 12.5 | 54.4 | 25.4 | 103.9 | 50.0 | 9.5 | 35.5 | 4.0 | 5/16-24P | 22.0 | 38.5 | 28.0 | M5x0.8P-2 |
| DN15 | 1/2" | 15.0 | 65.3 | 30.9 | 123.0 | 56.5 | 12.4 | 42.3 | 5.0 | 3/8-16P | 25.0 | 38.6 | 28.0 | M5x0.8P-2 |
| DN20 | 3/4" | 20.0 | 77.3 | 39.9 | 123.0 | 60.5 | 12.2 | 42.5 | 5.0 | 3/8-16P | 32.0 | 45.8 | 35.0 | M6x1.0P-2 |
| DN25 | 1" | 25.0 | 88.7 | 44.3 | 145.0 | 69.3 | 17.7 | 45.8 | 8.0 | M12-1.75P | 40.0 | 45.8 | 35.0 | M6x1.0P-2 |
| DN32 | 1-1/4" | 32.0 | 102.4 | 54.5 | 145.0 | 76.0 | 17.3 | 46.2 | 8.0 | M12-1.75P | 49.0 | 47.2 | 38.0 | W1/4-20 |
| DN40 | 1-1/2" | 38.1 | 109.0 | 54.5 | 189.0 | 84.5 | 20.1 | 51.7 | 10.0 | M16-2.0P | 55.0 | 47.0 | 38.0 | W1/4-20 |
| DN50 | 2" | 50.0 | 125.3 | 62.2 | 189.0 | 95.0 | 20.0 | 52.7 | 10.0 | M16-2.0P | 69.0 | 49.2 | 38.0 | W1/4-20 |
| DN65 | 2-1/2" | 65.0 | 165.0 | 81.4 | 255.0 | 131.3 | 21.5 | 76.3 | 10.0 | M16-2.0P | 85.0 | 68.5 | 55.0 | W1/4-20 |
| DN80 | 3" | 80.0 | 189.5 | 94.9 | 261.0 | 140.6 | 27.5 | 74.9 | 12.0 | 3/4-10P | 102.0 | 69.5 | 55.0 | W1/4-20 |