



Three Piece Sanitary Ball Valves, Tube Bore, 1000/800psi

Fig No: V-905MEB Tube Bore
1/2" - 4" DN15 ~ DN100



Application Include:

- * Pharmaceuticals
- * Biotechnology
- * Food/Beverage
- * Specialty chemicals

Standard Compliance: 3-A

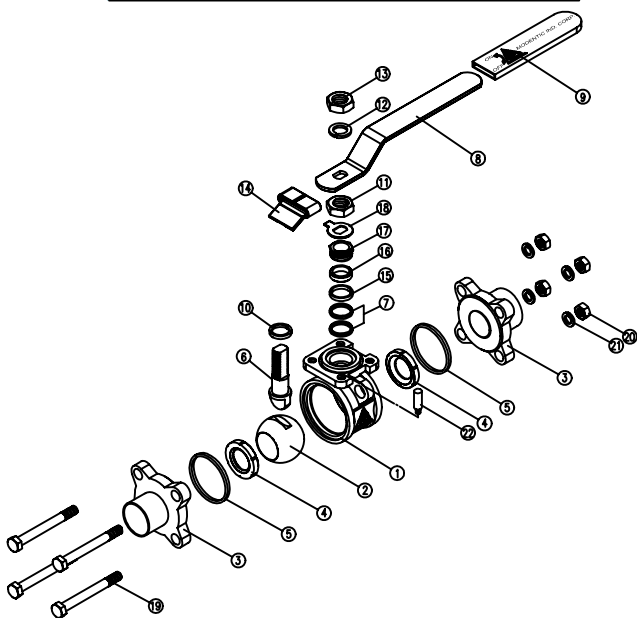
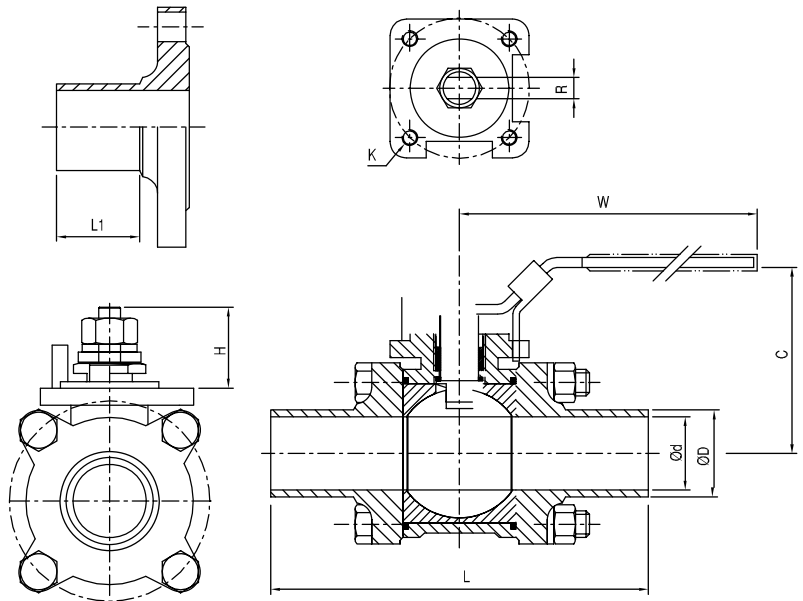
- * Body rating 1/2"~2" 1000psi, 2-1/2"~4" 800psi
- * Temperature range: -4 to 356°F(-20 to 180°C)
- * End connections: Tube end

Options:

- * CF3M w/ Ferrite content of less than 3%, Sulfur content between 0.005% and 0.017%
- * Padlocking device
- * Cavity filler seat

MATERIALS

NO	PART NAME	MATERIAL
1	BODY	CF8M
2	BALL	CF8M
3	END CAP	CF8M
4	SEAT	TFM1600 / PTFE
5	BODY SEAL	PTFE
6	STEM	SS316L
7	STEM PACKING	PTFE
8	HANDLE	SS304
9	HANDLE COVER	PLASTIC
10	THRUST WASHER	PTFE
11	STEM NUT	SS304
12	HANDLE WASHER	SS304
13	HANDLE NUT	SS304
14	LOCKING PAD	SS304
15	GLAND BUSH	PTFE
16	FOLLOWER	SS304
17	GLAND NUT	SS304
18	TAB WASHER	SS304
19	BOLT	SS304
20	BOLT NUT	SS304
21	BOLT WASHER	SS304
22	STOP PIN	SS304



DIMENSION

SIZE	DN	K	H	C	R	L	W	Ød	ØD	L1
1/2"	15	F03/36.0	18	60	5	89	132	9.5	12.7	20
3/4"	20	F03/36.0	18.5	65	5	101	132	15.9	19.1	20
1"	25	F04/42.0	22.5	69	6.5	114	165	22.2	25.4	25
1-1/2"	40	F05/50.0	29.6	89	8.5	140	194	35	38.2	25
2"	50	F05/50.0	29.6	97	8.5	156	194	47.6	50.8	25
2-1/2"	65	F07/70.0	44.5	127	12	197	252	60.3	63.4	25
3"	80	F07/70.0	44.5	135	12	229	252	73	76.2	25
4"	100	F10/102.0	48.8	159	16	243	333	97.4	101.6	25