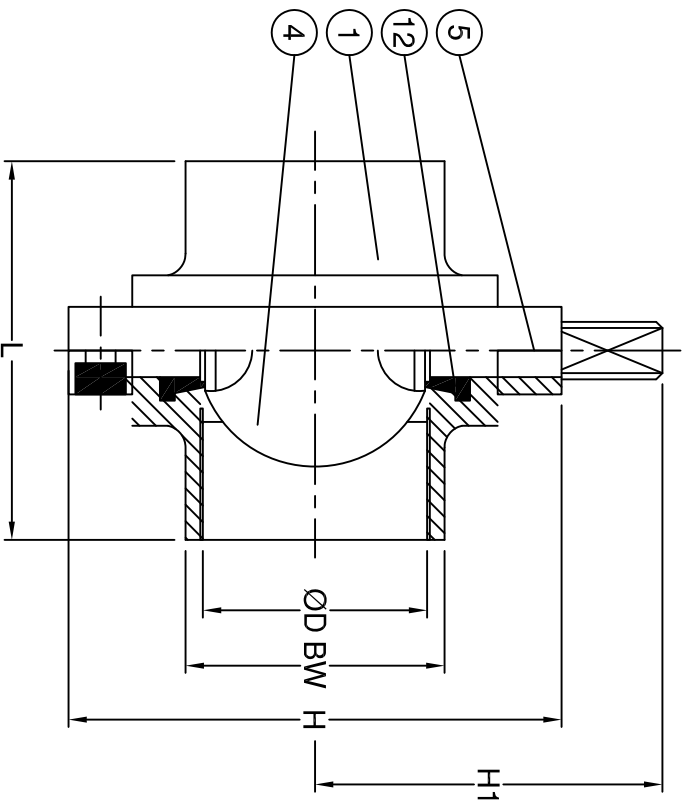


Fig No: **BV300B**

MATERIALS LIST

NO.	PART NAME	MATERIAL
1	BODY	ASTM A182 F316L
4	DISC	ASTM A182 F316L
5	STEM	SS 316L
12	SEAT	EPDM



DIMENSIONS

unit:mm

SIZE	L	H	H1	ØD	BW
DN25	68.0	79.0	61.0	22.1	25.4
DN32	76.0	85.0	64.3	34.8	38.1
DN50	80.0	105.0	74.3	47.5	50.8
DN65	2-1/2"	80.0	112.0	77.6	60.2
DN80	3"	82.0	125.0	84.8	76.2
DN100	4"	88.0	157.0	101.6	101.6

CODE	C-003		APPROVED BY:	CHECK BY:	DRAWN BY:	DRAWING NO.	MATERIAL	UNIT	DESCRIPTION
MODENTIC	SIGN	MIKE	IRIS	JERRY	BV300B-C003	MATERIALS LIST	mm	SANITARY BUTTERFLY VALVE, BUTT WELDING END, 0 ~ 10 BAR	
	DATE	10/19/2010	10/19/2010	10/19/2010	REVISION	SCALE	FREE		
INDUSTRIAL CORPORATION		DATE		REVISION		SCALE		FREE	

1 2 3 4 5 6 F E D C B A