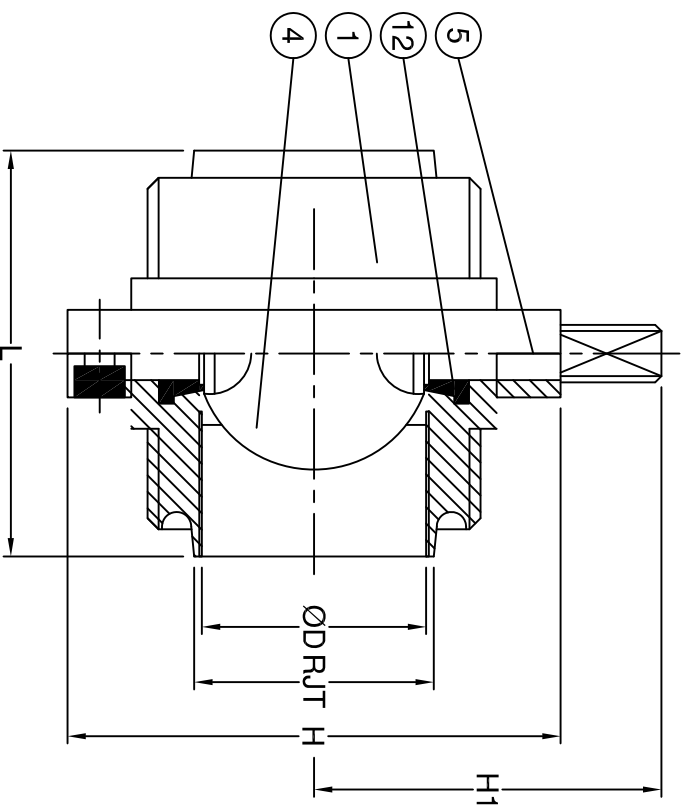


Fig No: **BV300R**

**MATERIALS LIST**

NO.	PART NAME	MATERIAL
1	BODY	ASTM A182 F316L
4	DISC	ASTM A182 F316L
5	STEM	SS316L
12	SEAT	EPDM



**DIMENSIONS**

unit:mm

SIZE	L	H	H1	ØD	RJT
DN25	68.0	79.0	61.0	22.1	45.72x8T WHIT
DN32	76.0	85.0	64.3	34.9	58.42x8T WHIT
DN50	80.0	105.0	74.3	47.6	72.72x6T WHIT
DN65	80.0	112.0	77.6	60.3	85.42x6T WHIT
DN80	82.0	125.0	84.3	73.0	98.12x6T WHIT
DN100	100.0	157.0	101.7	97.6	123.52x6T WHIT

1	CODE	C-003		APPROVED BY:	MIKE	CHECK BY:	IRIS	DRAWN BY:	JERRY	DRAWING NO.	BV300B-C003	MATERIAL LIST	UNIT	mm	DESCRIPTION	SANITARY BUTTERFLY VALVE, RJT MALE END, 0 ~ 10 BAR
F	INDUSTRIAL CORPORATION	DATE	10/08/2010	10/08/2010	10/08/2010	REVISION	01	SCALE	FREE							

F | E | D | C | B | A

1 | 2 | 3 | 4 | 5 | 6